

Kompresioni fitting Ø32x3

Compression fitting Ø32X3



Adapter za PE-X / PE-X-AI-PE-X cevi

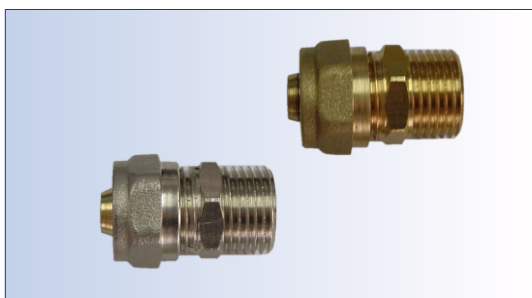
Adapter for PE-X / PE-X-AI-PE-X pipes



Šifra proizvoda Code	Veličina Size	Zid cevi Thickness	Pakovanje Pack	Težina Weight [kg]
62.54.32.2.000.(Ni)	Ø32-38x1,5	3	50	0,119
62.54.32.4.000.(Ni)	Ø32-38x1,5	3	50	0,118
2 - PE-X-AI-PE-X , 4 - PE-X				
(Ni) - Površinska zaštita / Surface treatment: Niklovan / nickel plated				

Kompresiona spojnica za PE-X / PE-X-AI-PE-X cevi - SN

Single joint for PE-X / PE-X-AI-PE-X pipes - male



Šifra proizvoda Code	Veličina Size	Zid cevi Thickness	Pakovanje Pack	Težina Weight [kg]
51.32.10.5.000.(Ni)	Ø32x1"	3	30	0,234
51.32.10.0.000.(Ni)	Ø32x1"	3	30	0,233
5 - PE-X-AI-PE-X , 0 - PE-X				
(Ni) - Površinska zaštita / Surface treatment: Niklovan / nickel plated				

Kompresiona spojnica za PE-X / PE-X-AI-PE-X cevi - UN

Single joint for PE-X / PE-X-AI-PE-X pipes - female



Šifra proizvoda Code	Veličina Size	Zid cevi Thickness	Pakovanje Pack	Težina Weight [kg]
51.32.10.5.200.(Ni)	Ø32x1"	3	30	0,247
51.32.10.0.200.(Ni)	Ø32x1"	3	30	0,246
5 - PE-X-AI-PE-X , 0 - PE-X				
(Ni) - Površinska zaštita / Surface treatment: Niklovan / nickel plated				

Kompresioni fitting Ø32x3

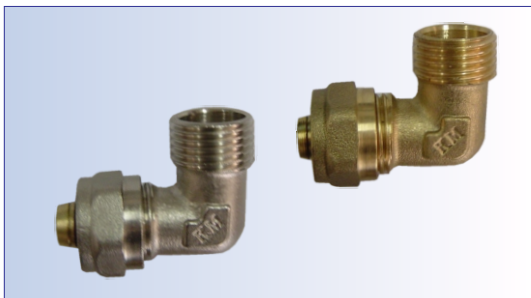
Compression fitting Ø32X3

Dupla kompresiona spojnica za PE-X / PE-X-AI-PE-X cevi
Straight joint for PE-X / PE-X-AI-PE-X pipes



Šifra proizvoda Code	Veličina Size	Zid cevi Thickness	Pakovanje Pack	Težina Weight [kg]
92.32.10.5.000.(Ni)	Ø32xØ32	3	30	0,358
92.32.10.0.000.(Ni)	Ø32xØ32	3	30	0,357
5 - PE-X-AI-PE-X , 0 - PE-X (Ni) - Površinska zaštita / Surface treatment: Niklovan / nickel plated				

Ugaona kompresiona spojnica za PE-X / PE-X-AI-PE-X cevi - SN
Angle joint for PE-X / PE-X-AI-PE-X pipes - male



Šifra proizvoda Code	Veličina Size	Zid cevi Thickness	Pakovanje Pack	Težina Weight [kg]
90.32.10.5.000.(Ni)	Ø32x1"	3	30	0,244
90.32.10.0.000.(Ni)	Ø32x1"	3	30	0,243
5 - PE-X-AI-PE-X , 0 - PE-X (Ni) - Površinska zaštita / Surface treatment: Niklovan / nickel plated				

Ugaona kompresiona spojnica za PE-X / PE-X-AI-PE-X cevi - UN
Angle joint for PE-X / PE-X-AI-PE-X pipes - female



Šifra proizvoda Code	Veličina Size	Zid cevi Thickness	Pakovanje Pack	Težina Weight [kg]
90.32.10.6.000.(Ni)	Ø32x1"	3	30	0,273
90.32.10.1.000.(Ni)	Ø32x1"	3	30	0,272
6 - PE-X-AI-PE-X , 1 - PE-X (Ni) - Površinska zaštita / Surface treatment: Niklovan / nickel plated				

Dupla ugaona kompresiona spojnica za PE-X / PE-X-AI-PE-X cevi
Angle joint for PE-X / PE-X-AI-PE-X pipes



Šifra proizvoda Code	Veličina Size	Zid cevi Thickness	Pakovanje Pack	Težina Weight [kg]
90.32.00.5.000.(Ni)	Ø32xØ32	3	30	0,359
90.32.00.0.000.(Ni)	Ø32xØ32	3	30	0,358
5 - PE-X-AI-PE-X , 0 - PE-X (Ni) - Površinska zaštita / Surface treatment: Niklovan / nickel plated				

Kompresioni fitting Ø32x3

Compression fitting Ø32X3

T - kompresiona spojnica za PE-X / PE-X-AI-PE-X cevi - SN

T - joint for PE-X / PE-X-AI-PE-X pipes - male



Šifra proizvoda Code	Veličina Size	Zid cevi Thickness	Pakovanje Pack	Težina Weight [kg]
91.32.10.5.000.(Ni)	Ø32x1"	3	20	0,405
91.32.10.0.000.(Ni)	Ø32x1"	3	20	0,404
5 - PE-X-AI-PE-X , 0 - PE-X				
(Ni) - Površinska zaštita / Surface treatment: Niklovan / nickel plated				

T - kompresiona spojnica za PE-X / PE-X-AI-PE-X cevi - UN

T - joint for PE-X / PE-X-AI-PE-X pipes - female



Šifra proizvoda Code	Veličina Size	Zid cevi Thickness	Pakovanje Pack	Težina Weight [kg]
91.32.10.6.000.(Ni)	Ø32x1"	3	20	0,427
91.32.10.1.000.(Ni)	Ø32x1"	3	20	0,426
6 - PE-X-AI-PE-X , 1 - PE-X				
(Ni) - Površinska zaštita / Surface treatment: Niklovan / nickel plated				

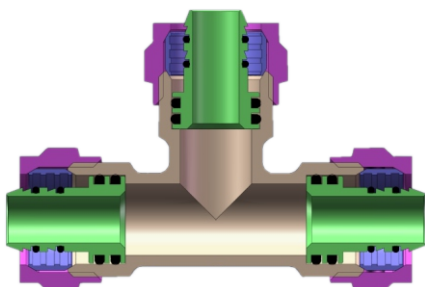
T - kompresiona spojnica za PE-X / PE-X-AI-PE-X cevi

T - joint for PE-X / PE-X-AI-PE-X pipes



Šifra proizvoda Code	Veličina Size	Zid cevi Thickness	Pakovanje Pack	Težina Weight [kg]
91.32.00.5.000.(Ni)	Ø32xØ32	3	20	0,530
91.32.00.0.000.(Ni)	Ø32xØ32	3	20	0,529
5 - PE-X-AI-PE-X , 0 - PE-X				
(Ni) - Površinska zaštita / Surface treatment: Niklovan / nickel plated				

Delovi / Parts



Deo Part	Oznaka Mark	Materijal Material
Telo Body		CW 617N EN12165
Navrtka Nut		CW 617N EN12165
Adapter Adapter		CW 614N EN12164
Prsten Ring		CW 614N EN12164
O-ring O-ring		NBR

Kompresioni fitting Ø32x3

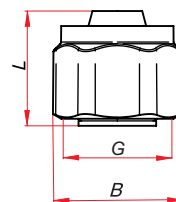
Compression fitting Ø32X3

Dimenzije / Dimensions

Adapter za PE-X / PE-X-AI-PE-X cevi

Adapter for PE-X / PE-X-AI-PE-X pipes

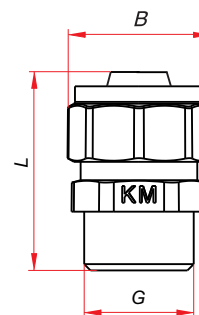
Šifra Code	Veličina Size	G	B [mm]	L [mm]
62.54.32.2.000.(Ni)	Ø32-38x1,5	38x1,5	42	30
62.54.32.4.000.(Ni)	Ø32-38x1,5	38x1,5	42	30
2 - PE-X-AI-PE-X , 4 - PE-X				



Kompresiona spojnica za PE-X / PE-X-AI-PE-X cevi -SN

Single joint for PE-X / PE-X-AI-PE-X pipes - male

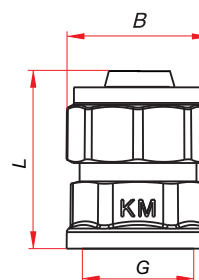
Šifra Code	Veličina Size	G ["]	B [mm]	L [mm]
51.32.10.5.000.(Ni)	Ø32x1"	1"	42	52
51.32.10.0.000.(Ni)	Ø32x1"	1"	42	52
5 - PE-X-AI-PE-X , 0 - PE-X				



Kompresiona spojnica za PE-X-AI-PE-X cevi - UN

Single joint for PE-X-AI-PE-X pipes - female

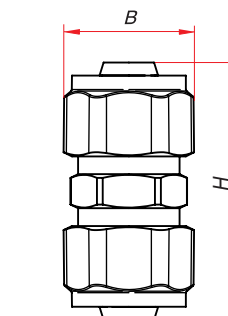
Šifra Code	Veličina Size	G ["]	B [mm]	L [mm]
51.32.10.5.200.(Ni)	Ø32x1"	1"	42	49
51.32.10.0.200.(Ni)	Ø32x1"	1"	42	49
5 - PE-X-AI-PE-X , 0 - PE-X				



Dupla kompresiona spojnica za PE-X / PE-X-AI-PE-X cevi

Straight joint for PE-X / PE-X-AI-PE-X pipes

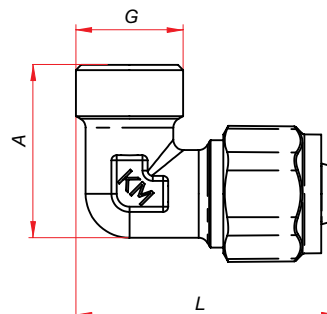
Šifra Code	Veličina Size	B [mm]	H [mm]
92.32.10.5.000.(Ni)	Ø32xØ32	42	68
92.32.10.0.000.(Ni)	Ø32xØ32	42	68
5 - PE-X-AI-PE-X , 0 - PE-X			



Ugaona kompresiona spojnica za PE-X / PE-X-AI-PE-X cevi - SN

Angle joint for PE-X / PE-X-AI-PE-X pipes - male

Šifra Code	Veličina Size	G ["]	A [mm]	L [mm]
90.32.10.5.000.(Ni)	Ø32x1"	1"	49	67
90.32.10.0.000.(Ni)	Ø32x1"	1"	49	67
5 - PE-X-AI-PE-X , 0 - PE-X				



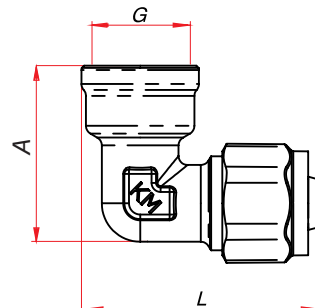
Kompresioni fitting Ø32x3

Compression fitting Ø32X3

Ugaona kompresiona spojnica za PE-X / PE-X-AI-PE-X cevi - UN

Angle joint for PE-X / PE-X-AI-PE-X pipes - female

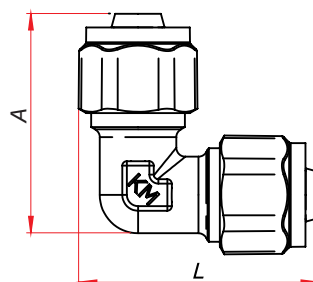
Šifra Code	Veličina Size	G ["]	A [mm]	L [mm]
90.32.10.6.000.(Ni)	Ø32x1"	1"	49	70
90.32.10.1.000.(Ni)	Ø32x1"	1"	49	70
6 - PE-X-AI-PE-X , 1 - PE-X				



Dupla ugaona kompresiona spojnica za PE-X / PE-X-AI-PE-X cevi

Straight angle joint for PE-X / PE-X-AI-PE-X pipes

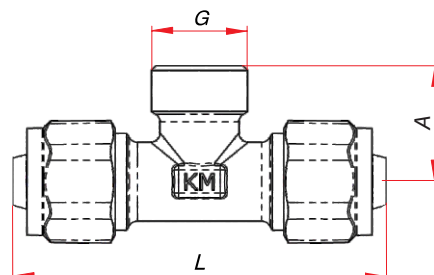
Šifra Code	Veličina Size	A [mm]	L [mm]
90.32.00.5.000.(Ni)	Ø32xØ32	72	72
90.32.00.0.000.(Ni)	Ø32xØ32	72	72
5 - PE-X-AI-PE-X , 0 - PE-X			



T - kompresiona spojnica za PE-X / PE-X-AI-PE-X cevi - SN

T - joint for PE-X / PE-X-AI-PE-X pipes - male

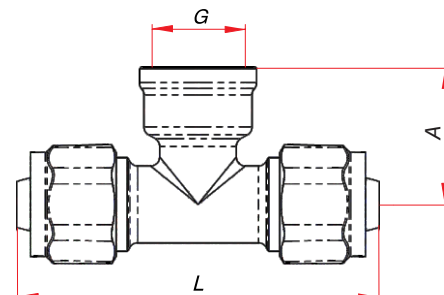
Šifra Code	Veličina Size	G ["]	A [mm]	L [mm]
91.32.10.5.200.(Ni)	Ø32x1"	1"	38	100
91.32.10.0.200.(Ni)	Ø32x1"	1"	38	100
5 - PE-X-AI-PE-X , 0 - PE-X				



T - kompresiona spojnica za PE-X / PE-X-AI-PE-X cevi - UN

T - joint for PE-X / PE-X-AI-PE-X pipes - female

Šifra Code	Veličina Size	G ["]	A [mm]	L [mm]
91.32.10.6.000.(Ni)	Ø32x1"	1"	38	100
91.32.10.1.000.(Ni)	Ø32x1"	1"	38	100
5 - PE-X-AI-PE-X , 0 - PE-X				



T - kompresiona spojnica za PE-X / PE-X-AI-PE-X cevi

T - joint for PE-X / PE-X-AI-PE-X pipes

Šifra Code	Veličina Size	A [mm]	L [mm]
91.32.10.5.000.(Ni)	Ø32xØ32	50	100
91.32.10.0.000.(Ni)	Ø32xØ32	50	100
5 - PE-X-AI-PE-X , 0 - PE-X			

