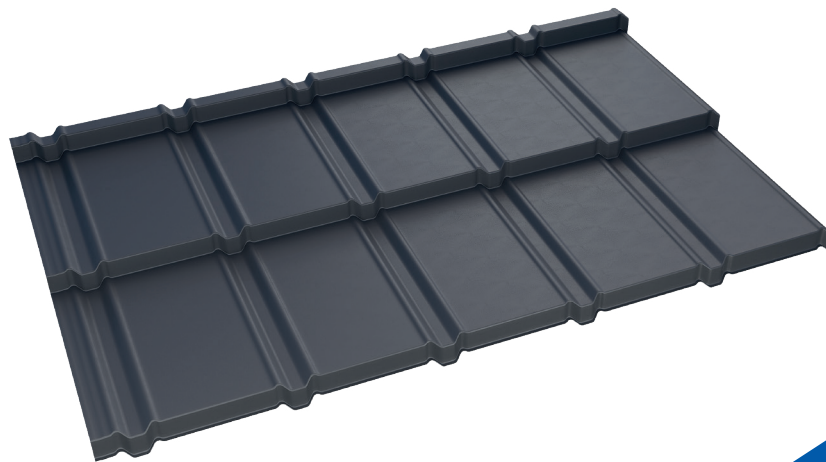




Metal tile sheet

Trend



Product
data sheet



34-700 Rabka-Zdrój
ul. Kilińskiego 49a



T: +48 18 26 85 200



biuro@blachotrapez.eu
www.blachotrapez.eu

General information

Metal tile sheets are among the most commonly used roofing materials in residential, religious, economic, and public utility buildings. Our products are formed on the model of classic tiles, and combine tradition and modernity. They are more and more often selected as permanent covering, both in new construction and renovation.

The highest quality of covering is provided by complete systems of finishing elements, flat sheets seals, and fasteners.

Advantages and properties

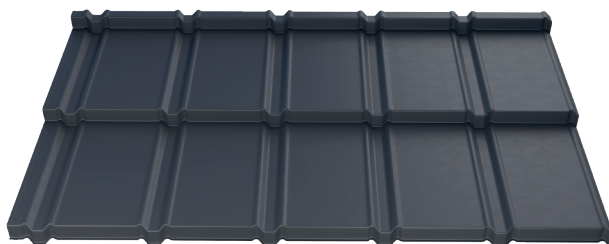
Trend flat metal tile sheets are well suitable for less as well as more complicated roofs. This is an alternative to traditional, made-to-measure sheet tiles. On the one hand, it is a reversal of trends, fitting in with modern architectural structures; on the other hand, it is a timeless flat surface.

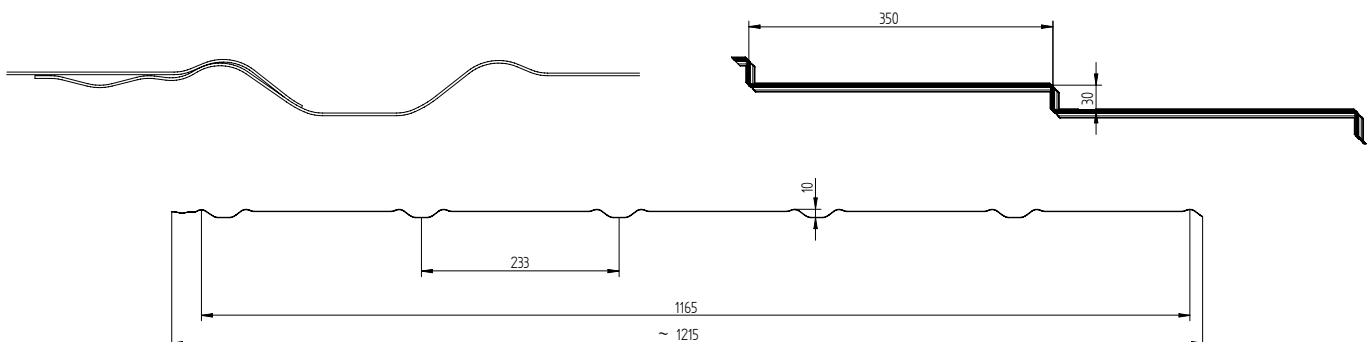
The modest elegance and unconventional character are a combination that delights more demanding customers. The colours, prepared by our experts, are suitable for every style of construction - from traditional to modern.

Technical details

Total width:	~1215 mm	Height of the tile step- offset:	30 mm
Effective width:	1165 mm	Profile depth:	10 mm
Thickness of the finished product (steel):	0,5 mm	Step length - Module:	350 mm
Pitch:	233 mm	Length of sheet:	720 mm

Trend - Dimensions, Cross section and longitudinal section.






 **Application**

The roofing sheets, delivered as prefabricated components, are used to cover roofs with a pitch of not less than 14°. The sheets are used as finishing and safety elements in buildings. The roofing sheets should be used in accordance with the technical designs of the buildings, the manufacturer's installation instructions and recommendations, applicable standards and technical and construction regulations.

Blachotrapez recommends to purchase all materials required for one investment under one purchase order. Otherwise it is possible that the colour shades and texture will vary which shall not be attributable to the Manufacturer. The applied material has a wide range of applications due to the environmental classification, which is confirmed by a long warranty period depending on material (see the separate warranty form uploaded to our website www.blachotrapez.eu)

 **Research results / documentation**

Trend metal roof tiles have the Declaration of Performance, prepared on the basis of current Standards and Regulations concerning construction products.

We also have a Hygienic Certificate issued by the National Hygiene Institute PZH.

These documents are issued to implemented orders. In order to obtain them, please contact the Quality Control Department - the scheme of procedures is provided on our website.

 **SPS**

We inform that to meet customers' needs, Blachotrapez has introduced a global-scale unique technology known as SPS - Safe Profiling System. The implementation of an innovative profiling system of metal sheet was made possible through many years of observations, analyses and research conducted by our experts in cooperation with suppliers of steel, and new technologies. It is worth noting that the SPS system is patent protected as an innovative solution on the market.

The technological SPS process allows profiling steel material under optimum climatic conditions - independent of the ambient temperature. With its use, raw materials can be perfectly plasticised, and this especially goes for paint coatings. Key benefits that SPS technology brings is primarily acquisition of such properties and parameters that increase the durability of the material supplied by our company and the quality of its execution. The applied technology makes the coating material extremely resistant to the destructive effects of external factors, corrosion and damage. Simultaneously, it does not lose its properties, ensuring effective roof protection and high aesthetic values for many years to come. With all these factors resulting from the use of SPS, we have achieved the greatest success - extension of the warranty period.

The innovative SPS technology was first used in a production process at Blachotrapez already in 2014, when we extended the warranty period for our key vendor - ThyssenKrupp Steel Europe.

We can fully recommend the SPS system as a technology that allows achieving the highest durability of sheet metal and increasing resistance to corrosion and damage. The roof will have its functions for a longer time, ensuring comfort to its residents.

 **Additional information**

For all types of profiles we have properly prepared instructions for transport, storage, cutting and maintenance of sheet metal. To familiarize yourself with the content, please visit www.blachotrapez.eu and contact our Technical and Trade Consultants or branches of our company - addresses can also be found on our website.

We also have numerous awards and certificates, which can be viewed on our website: www.blachotrapez.eu