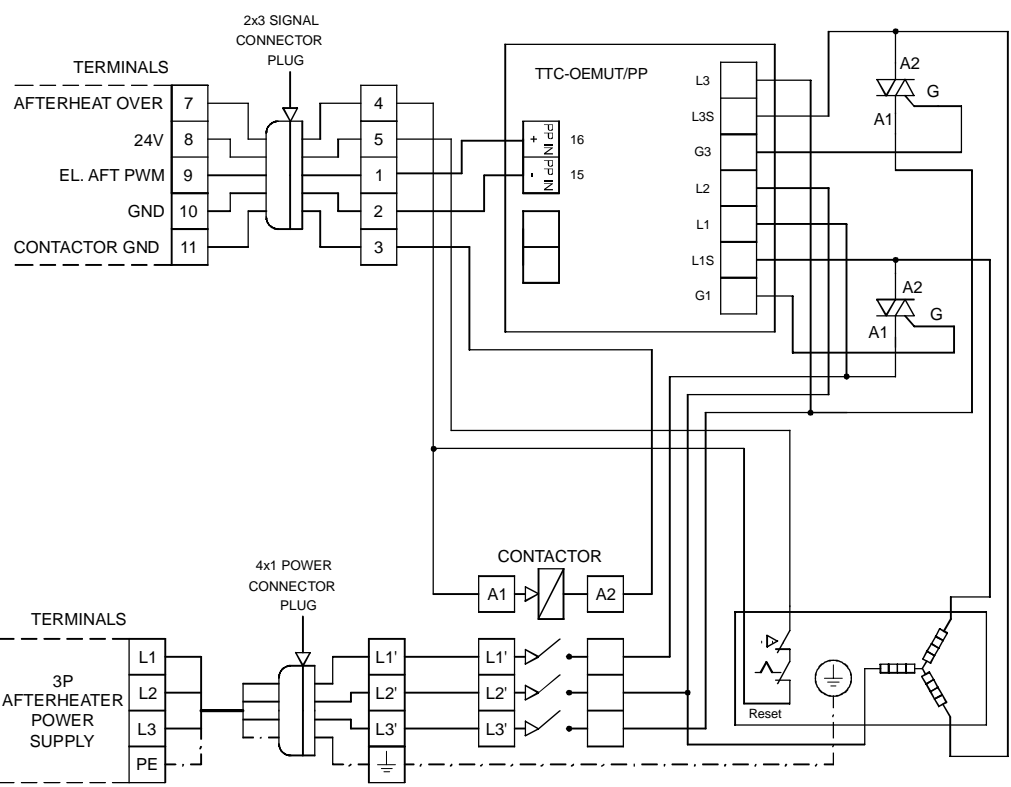
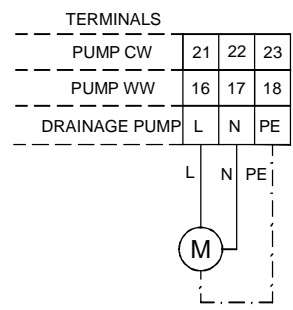


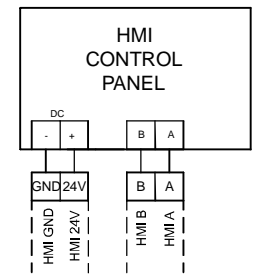
ELECTRICAL AFTER HEATER



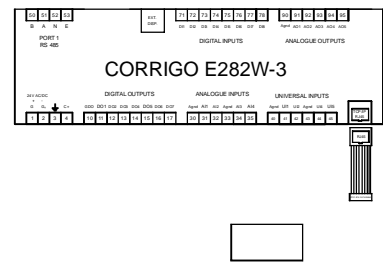
PUMP WW/CW/DRAINAGE



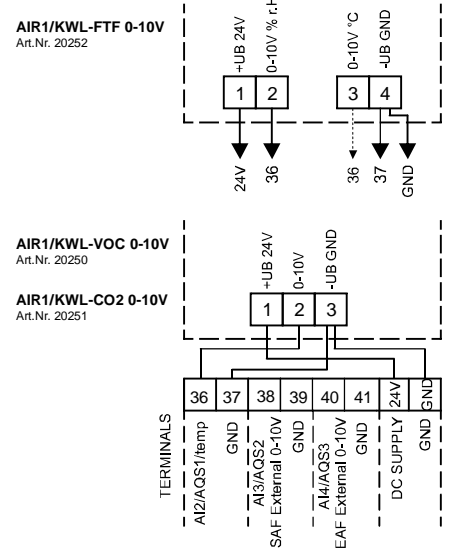
AIR1-BE TOUCH



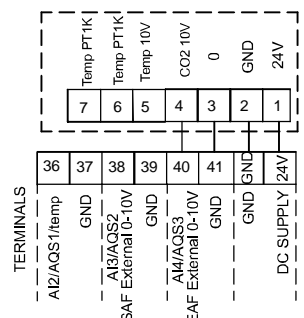
BACNET & MODBUS



Air Quality Sensors



Air1 CO2 K



36-37: Air Quality Sensor 1 or temperature sensor (temp output AIR1/KWL-FTF 0-10V)

38-39: Air Quality Sensor 2

40-41: Air Quality Sensor 3

UNIT POWER SUPPLY

