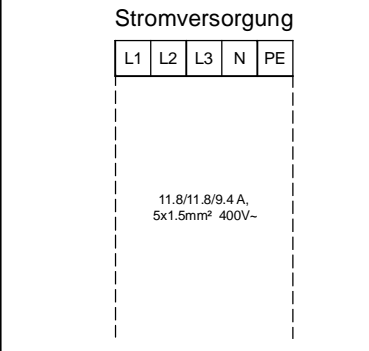
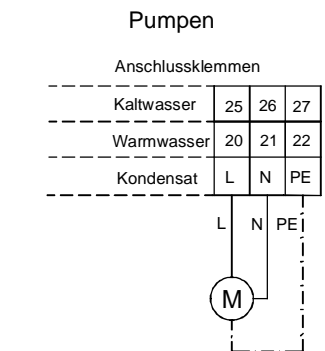
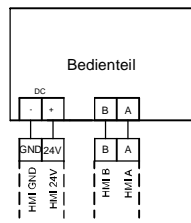
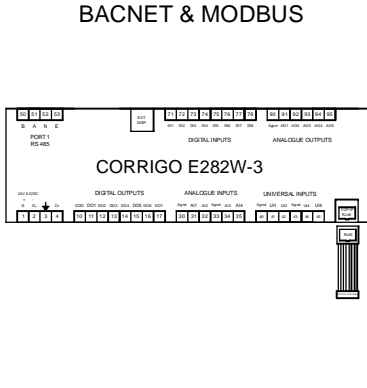
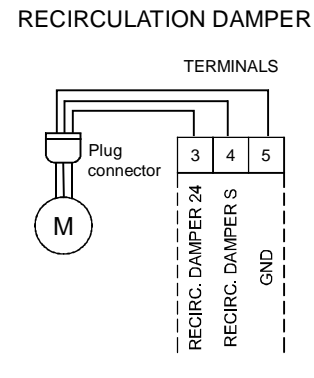
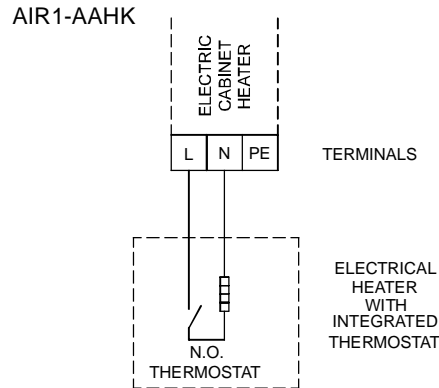
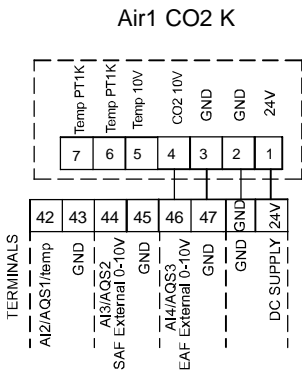
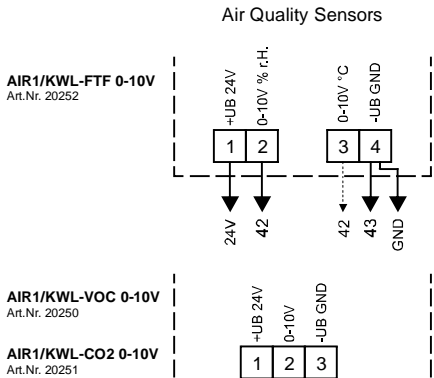
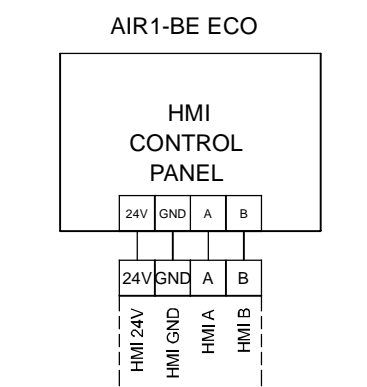
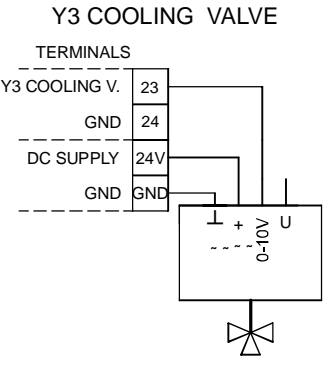
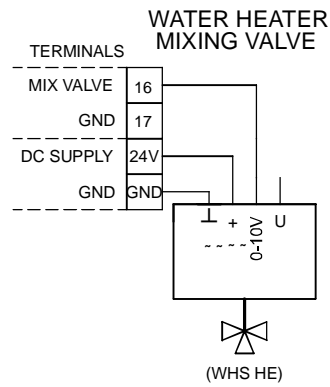
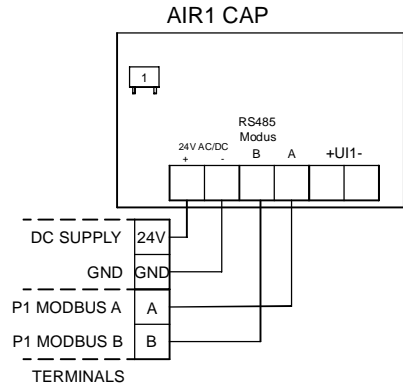
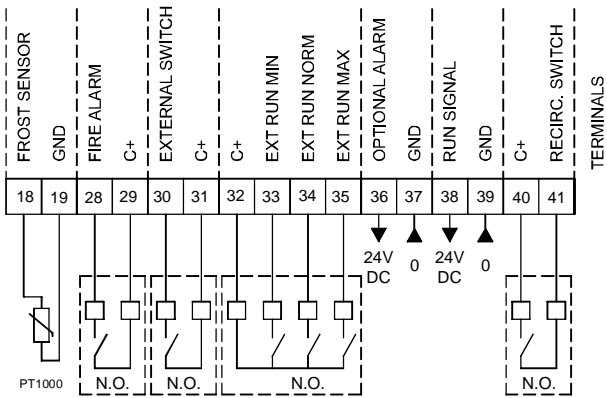


42-43: Luftqualitätssensor 1 oder Temperatur-Sensor
 (Temperatúrausgang AIR1/KWL-FTF 0-10V)
 44-45: Luftqualitätssensor 2
 46-47: Luftqualitätssensor 3

AIR1-BE TOUCH



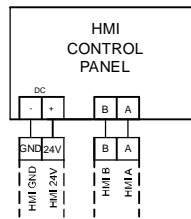


42-43: Air Quality Sensor 1 or temperature sensor (temp output AIR1/KWL-FTF 0-10V)

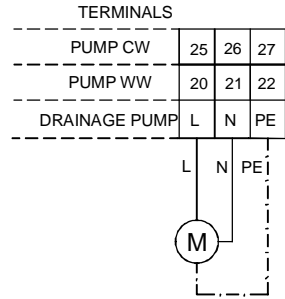
44-45: Air Quality Sensor 2

46-47: Air Quality Sensor 3

AIR1-BE TOUCH



PUMP WW/CW/DRAINAGE



UNIT POWER SUPPLY

